

INVISIBLE MIFARE1 LOCK

Application:

Suitable for companies, hotels, super market storage cabinets, schools, swim- & sauna bathing spots, golf courses & oilrigs. May be used for cabinet & sliding doors depending on striker used.

Specifications:

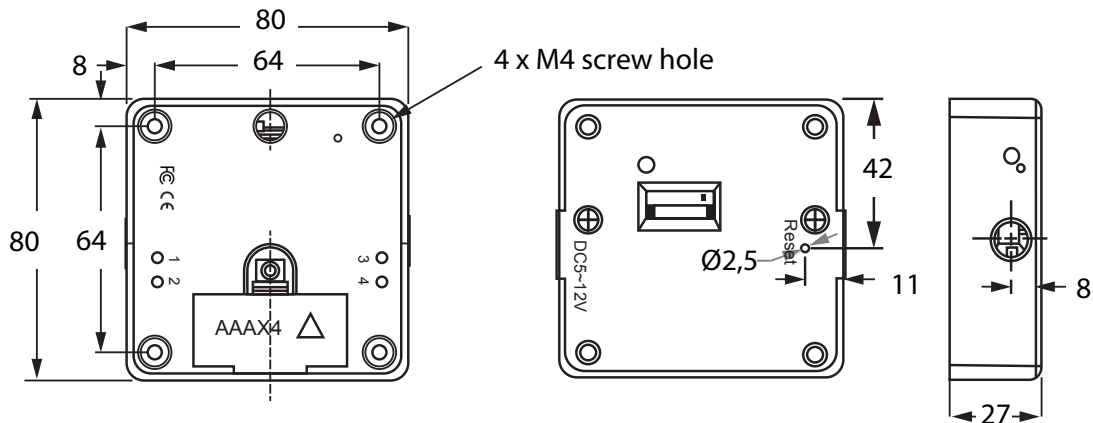
Black ABS lock body case.
 Operated by Mifare1 technology. (13,56 MHz)
 Power supply by DC6V (4 x AA 1,5V alkaline batteries).
 Working temperature: -15 - +65 Celsius.
 Working humidity: <=90 %

Features:

Pre-coded to public mode. May be changed to private or office mode by use of programming buttons on the lock. (see detailed user manual on www.siso.dk)
 49 users may be programmed per lock.
 W/alarm function (may be switched off)
 Standalone lock. (No wiring needed)
 Invisible installation. Signal goes through max. 20mm wood/glass panels.
 May be programmed to double key function



Size: 80 x 80 x 27 mm
Item No.: # 14.60.280
 (Batteries, keys, cards & strikers to be bought separately)



MIFARE1 KEYS & CARDS

Key Fob, black
 Recommended to use as user key
Item No.: # 14.60.357

Plastic Card, white
 Recommended to use as Master card & Delete card.
 May be used as user card as well.
Item No.: # 14.60.346



INVISIBLE MIFARE1 LOCK

- high quality furniture fittings



PUSH TO OPEN STRIKER F/CABINET DOORS

Application:

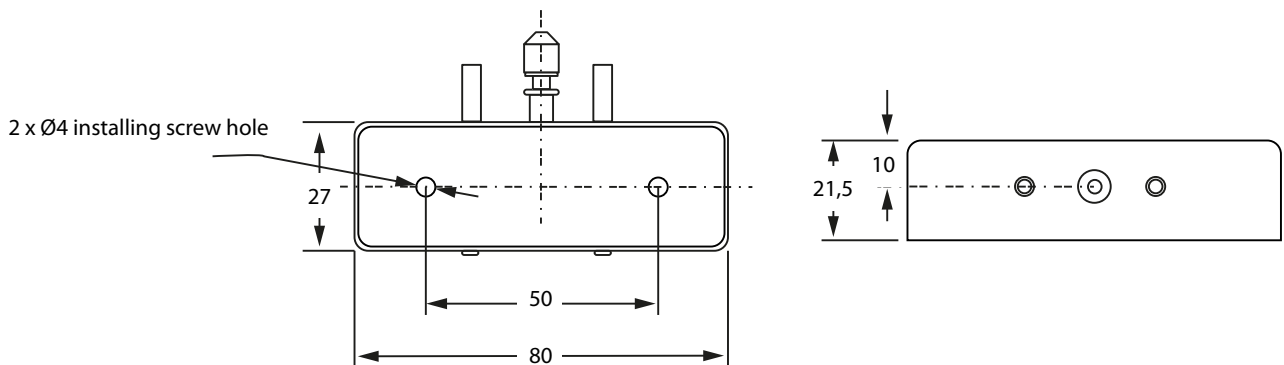
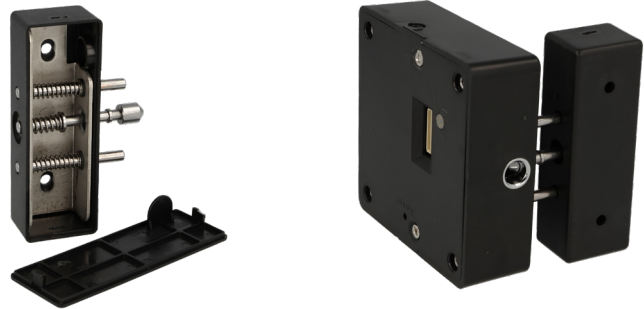
For cabinet doors. W/push to open function.

Specifications:

Black ABS body case
Steel springs & pins

Size: 80 x 27 x 21,5 mm

Item No.: # 14.60.285



PUSH TO OPEN STRIKER F/SLIDING DOORS

Application:

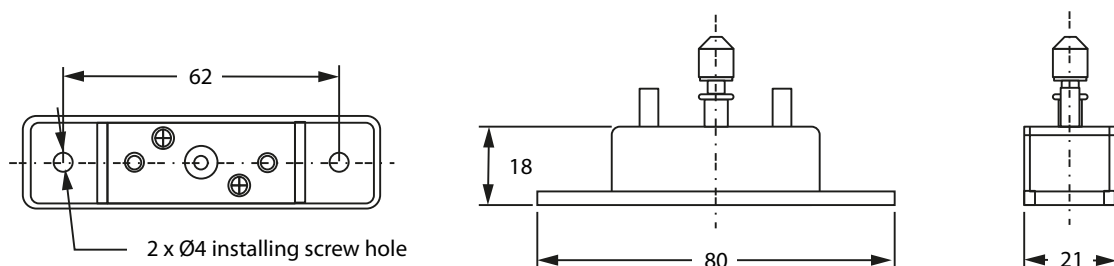
For sliding doors. W/push to open function.

Specifications:

Black ABS body case
Steel springs & pins

Size: 80 x 21 x 18 mm

Item No.: # 14.60.286



SISO A/S

Mileparken 11 Phone: (+45) 45 830 900
DK - 2740 Skovlunde (Copenhagen) Fax: (+45) 45 830 444
Denmark E-mail: siso@siso.dk Web: www.siso.dk